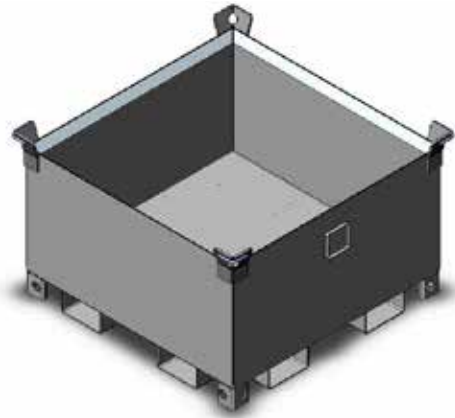


CRANE WASTE BINS MSSC SPECIFICATIONS



The MSSC Stackable Crane Bins are a heavy load bin suitable for the storage and transport of heavy waste, components or parts in all manufacturing and construction sites or used as a craneable spill containment for drums.

The 4-way access base is designed with racking locators making this pallet racking bin an ideal solution to any heavy duty storage.

Fork pockets are fitted for transporting around site or the load can be emptied by a forklift fitted with a rotator carriage. Crane lugs fitted for both lifting and upending.

Stacking feet allow the crane bin to be stacked up to 4 high when full.

Drain plug fitted standard. Optional wheel kit available on request for complete manoeuvrability around the site.

Heavy duty construction suits use in the manufacturing, mining, construction, shipping and defence industries.

Galvanised finish for long life and durability in harsh conditions.



Upending lugs



Stackable



Racking friendly design



Fitted with optional wheels

	MSSC700	MSSC900
Working Load Limit (WLL)	2000 kg	2000 kg
Capacity	0.7 m ³	0.9 m ³
Bin Height	600 mm	800 mm
Unit Weight	150 kg	170 kg
Fork Pocket Size	155 x 60 mm	155 x 60 mm
Fork Pocket Centres	470 mm	470 mm

